

Rev.	Sym.	Q'TY	ICN/ECN NO	Changed by	Date
V1.0			the first release		

COMPANY CONFIDENTIAL

A

B

C

D

E

F

A

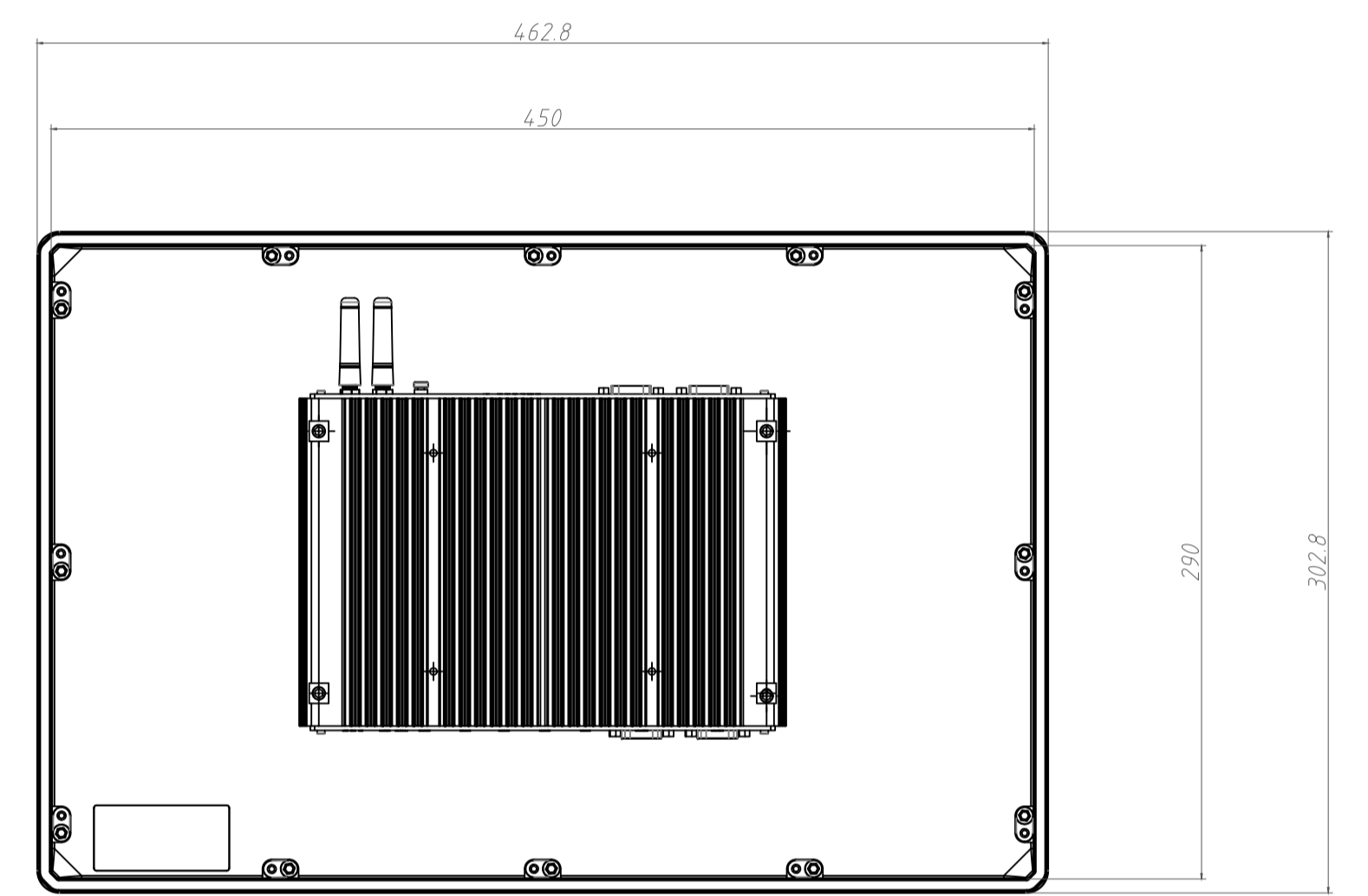
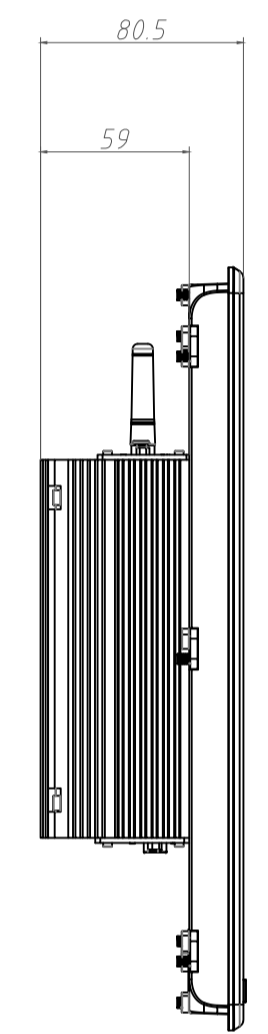
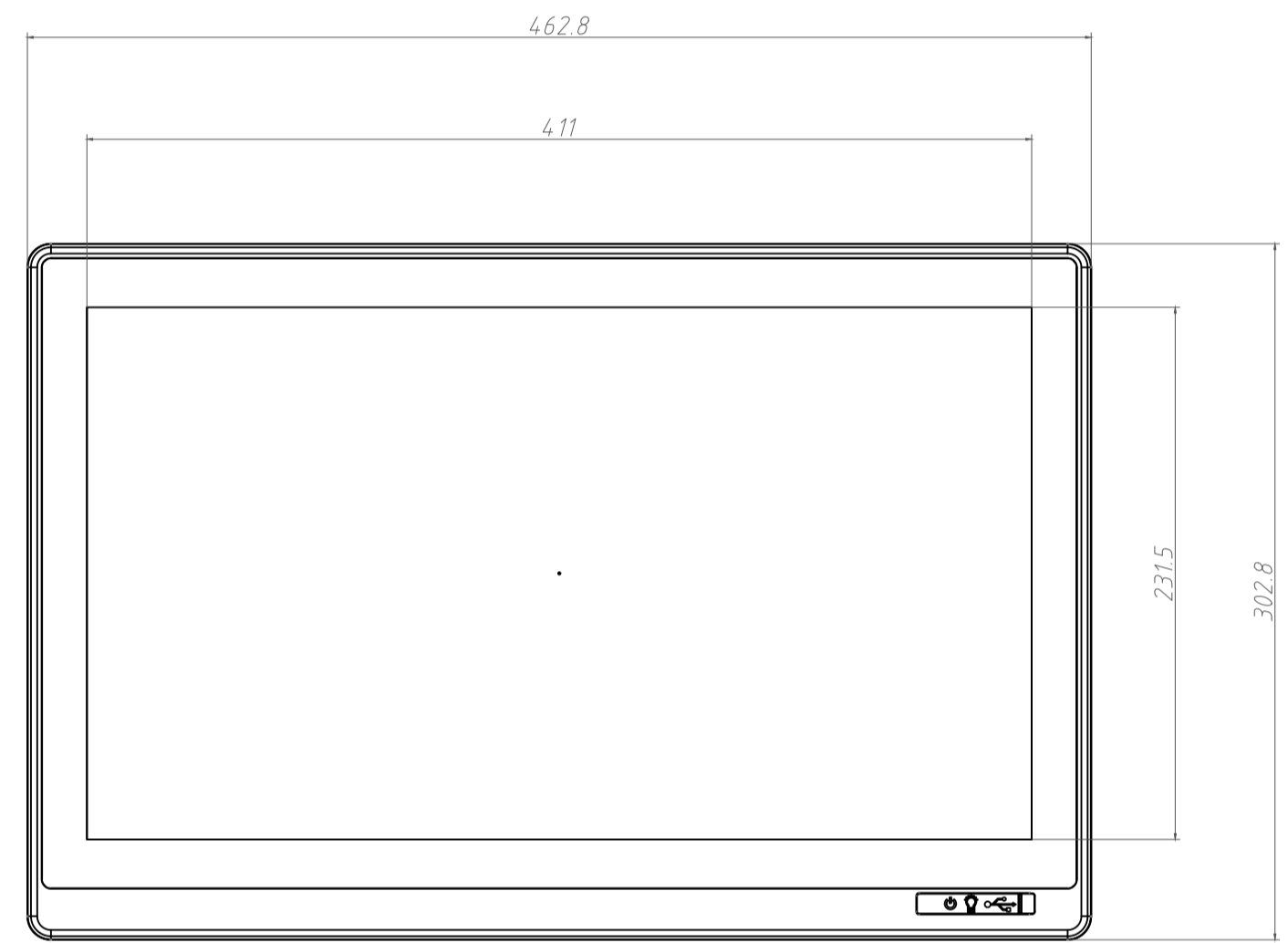
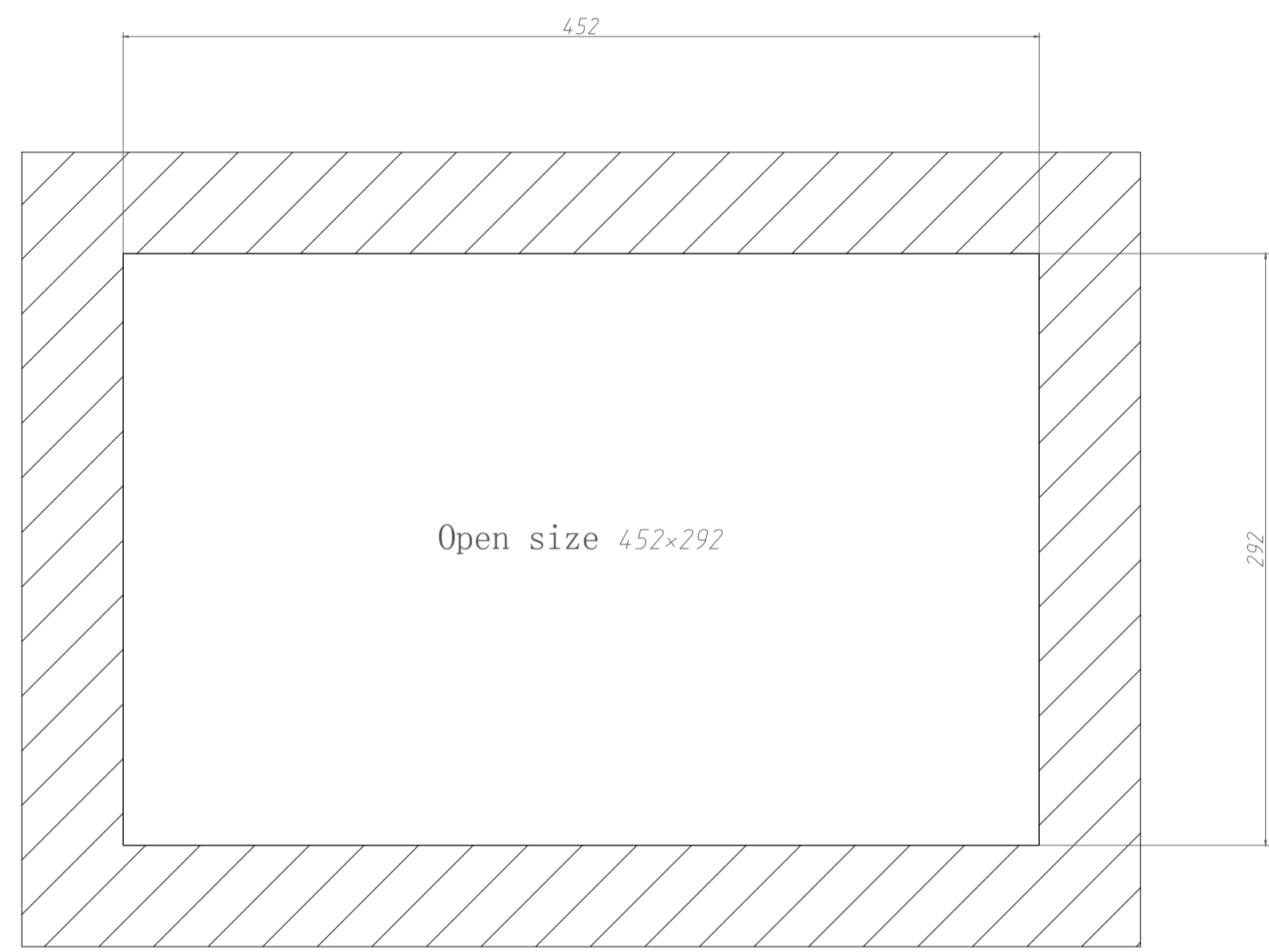
B

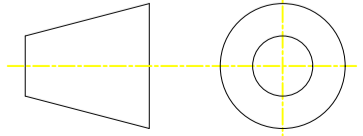
C

D

E

F



PANELMATE Creative HMI Solution First angle system 	Project Name :		Part Name	
	Design		Part No	
Check		Material	See Notes	Size:
Approve		Process	See Notes	Unit: mm
				Scale: 1:1
				Sheet: 1 of 1